



radiolink plus – ATEX



ATEX and IECEx approved to Ex ia II C T4 Ga for use in zone 0 hazardous environments (gas). This new version of the bestselling Radiolink plus is capable of both weighing and dynamic load monitoring in hazardous environments; such as on and offshore oil, gas and chemical industries in zones classified 2, 1 and 0.

Available from stock in capacities from 1t to 300t, constructed from high-quality aircraft grade aluminium and featuring an advanced internal design structure.

This internal design structure not only provides the product with an unrivalled strength to weight ratio, it also allows the use of a separate internal sealed enclosure providing the load cell's electronic components with IP67/NEMA6 environmental protection, even with the battery cover plate missing, making this industry leading dynamometer even more suitable for use in the harshest environments.

Featuring industry leading wireless technology and range, the versatile Radiolink plus is supplied with an update rate of 3Hz and can be easily configured to run at industry leading speeds of up to 200Hz. Data is transmitted wirelessly utilising the latest in IEEE 802.15.4 (2.4 GHz) technology providing safe, high-integrity, error-free transmission of both static weight and dynamic load to an ATEX/IECEx approved wireless handheld controller, the SW-HHP-ATEX.

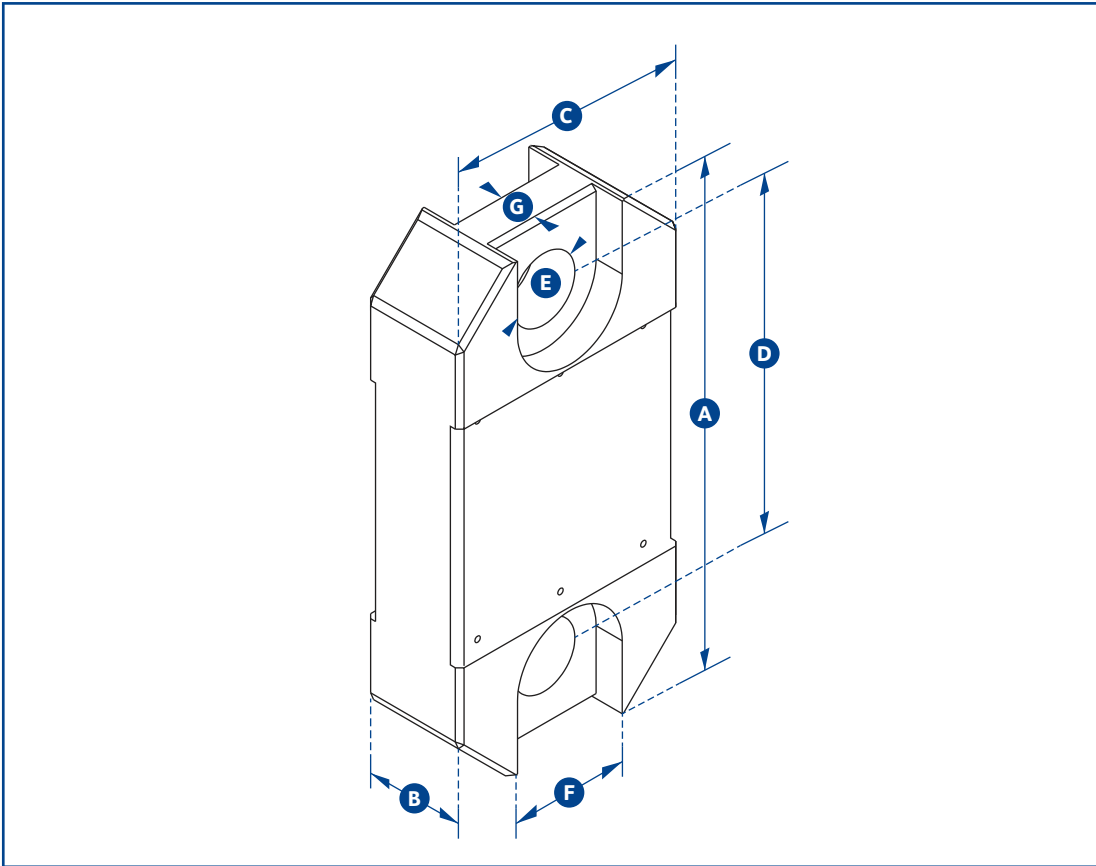
The Radiolink plus-ATEX utilises easily sourced Energizer® Ultimate Lithium AA Batteries and features advanced circuitry designed to protect the loadcell from damage if the batteries are incorrectly installed. This advanced circuitry extends battery life, and the use of easily sourced batteries eliminates issues associated with rechargeable battery pack charging, failure and replacement.

It is easy to see why, globally, the Radiolink plus-ATEX is the number one choice for weighing and dynamic load monitoring in hazardous applications.

Features and benefits:

- Approved for use in hazardous zones 2, 1 and 0
- Proprietary 2.4 GHz Wireless
- Industry Leading Wireless Range
- Error Free Data Transmission
- Unrivalled Resolution
- Environmentally Sealed
- Unmatched Battery Life
- Internal Antennae
- Compact Size
- Remote On-Off
- Lightweight
- Peak Hold

metric specifications



Part Number	RLP1T-EX	RLP2T5-EX	RLP5T-EX	RLP12T-EX	RLP25T-EX	RLP35T-EX	RLP50T-EX	RLP75T-EX	RLP100T-EX	RLP150T-EX	RLP200T-EX	RLP250T-EX	RLP300T-EX
Capacity	1,000kg	2.5te	5te	12te	25te	35te	50te	75te	100te	150te	200te	250te	300te
Resolution	0.5kg	0.001te	0.001te	0.002te	0.005te	0.005te	0.01te	0.01te	0.05te	0.05te	0.1te	0.1te	0.1te
Units	kg	te	te	te	te	te	te	te	te	te	te	te	te
Weight	1.4kg	1.4kg	2kg	3.2kg	5kg	8.6kg	11.5kg	16kg	34kg	46kg	72kg	72kg	118kg
Safety Factor	12:1	5:1	5:1	5:1	5:1	5:1	5:1	5:1	5:1	4:1	5:1	4:1	5:1
Approval Spec	Ex ia II C T4 Ga for use in zone 2, 1 and 0												
Battery Type	Handheld 2 x Energizer® Ultimate Lithium AA Batteries / Loadcell 4 x Energizer® Ultimate Lithium AA Batteries												
Battery Life	Handheld 400 hours/Load cell 1200 hours continuous												
Display Type	6 digit 25mm LCD												
Operating Temp	-10°C to +50°C												
Accuracy	± 0.3 % of applied load												
Frequency	2.4 GHz												
System Range	250 metres												
Data Rate	3 Hz - up to 200 Hz can be ordered for dynamic load monitoring applications												
Protection	IP67												
Dimension A	204	204	249	305	340	393	424	470	608	670	700	700	806
Dimension B	43	43	43	47	60	75	75	75	99	99	144	144	150
Dimension C	101	101	101	101	115	126	163	202	255	303	320	320	426
Dimension D	146	146	165	193	215	225	230	260	320	360	350	350	350
Dimension E	24.5	24.5	38	47.5	55	60	76	76	109	109	132	132	160
Dimension F	48	48	66	Not available on this capacity									
Dimension G	19	19	32	Not available on this capacity									
Crosby Shackle	G2130						G2140						
Loading Pin Ø	19	19	25	35	51	57	57	70	83	95	121	127	152

